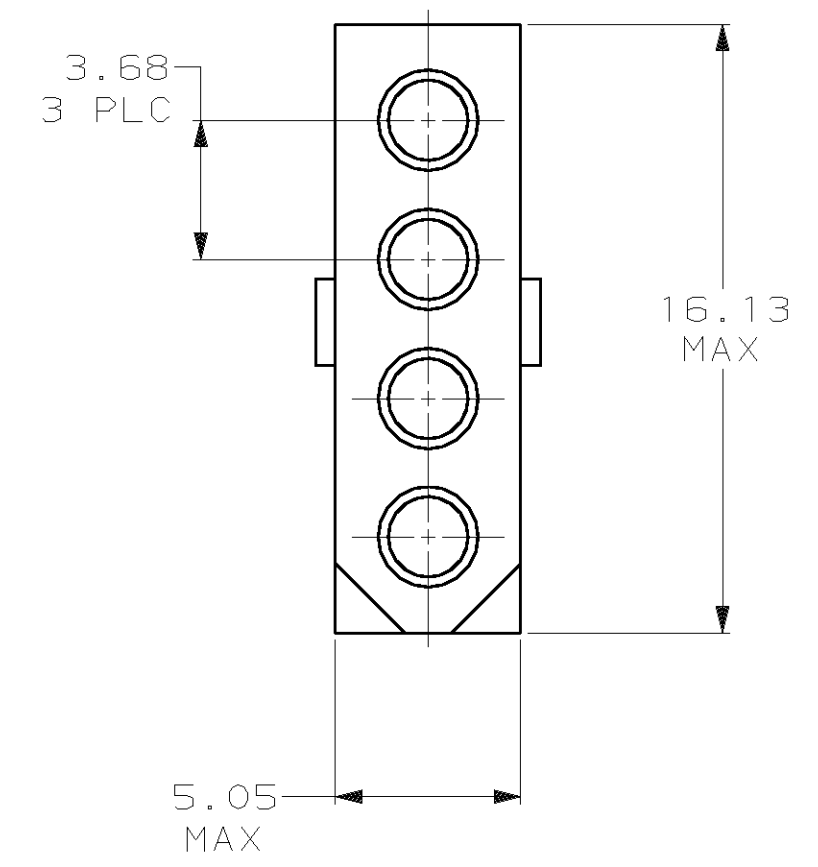
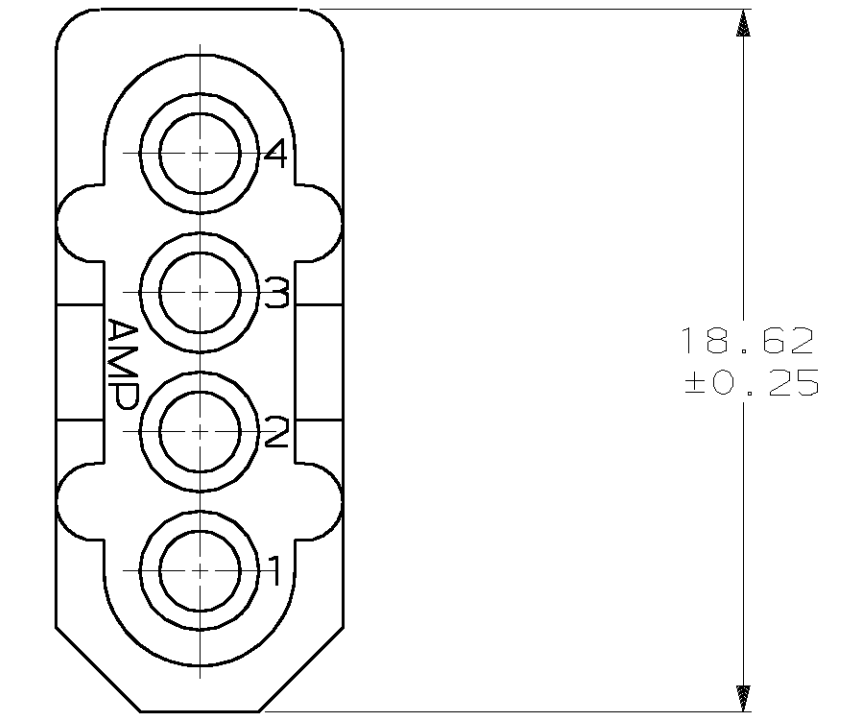
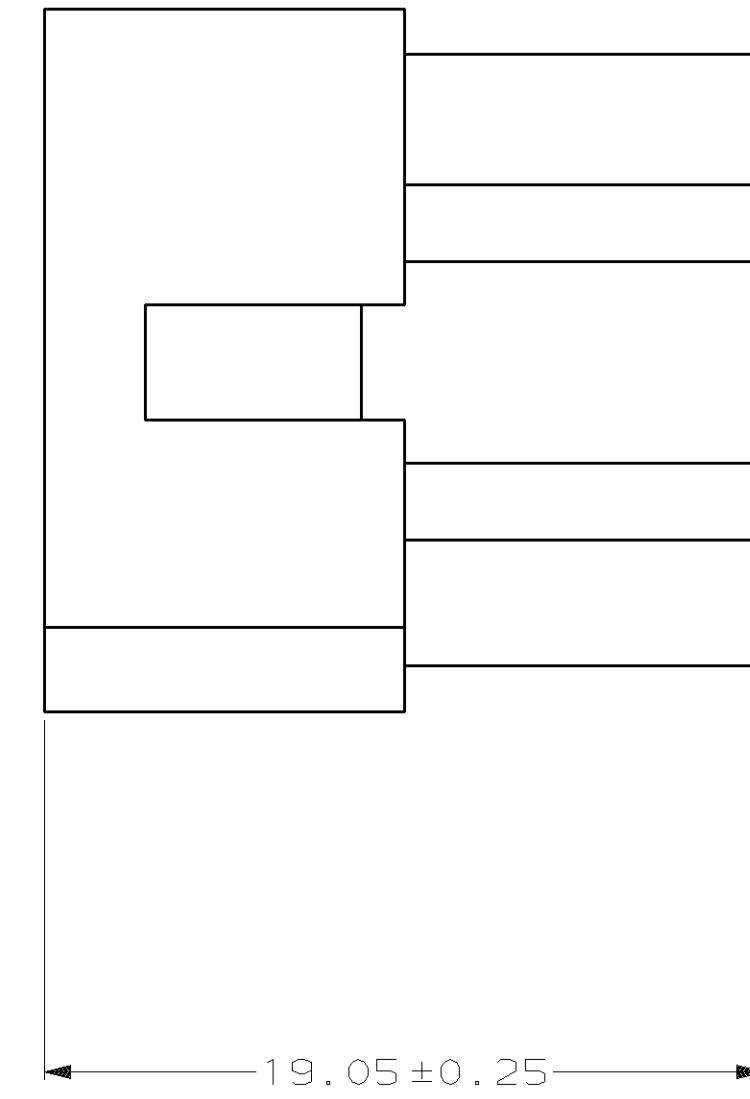
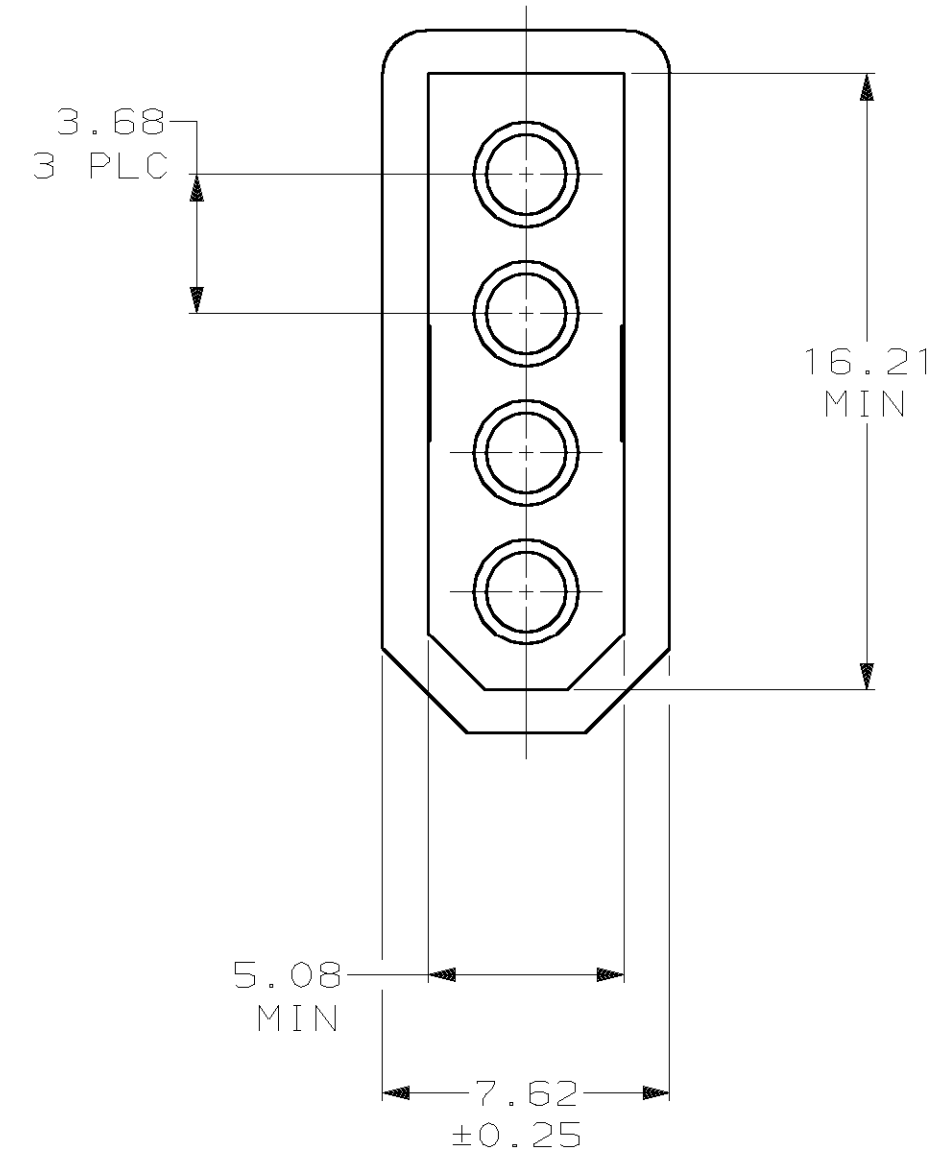
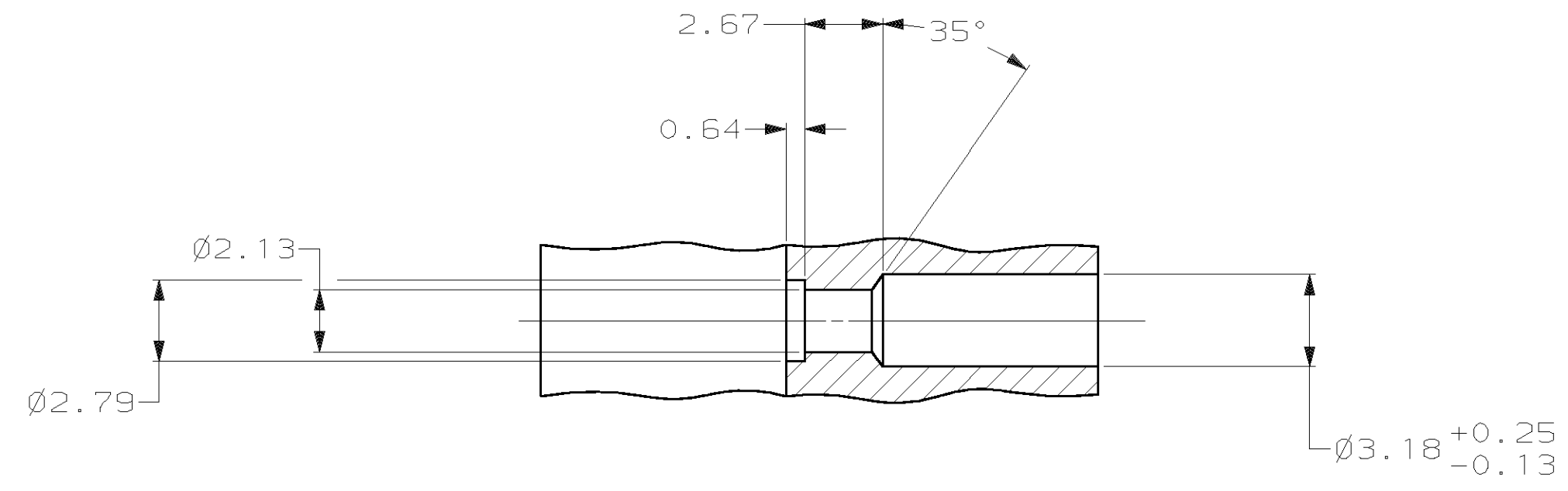


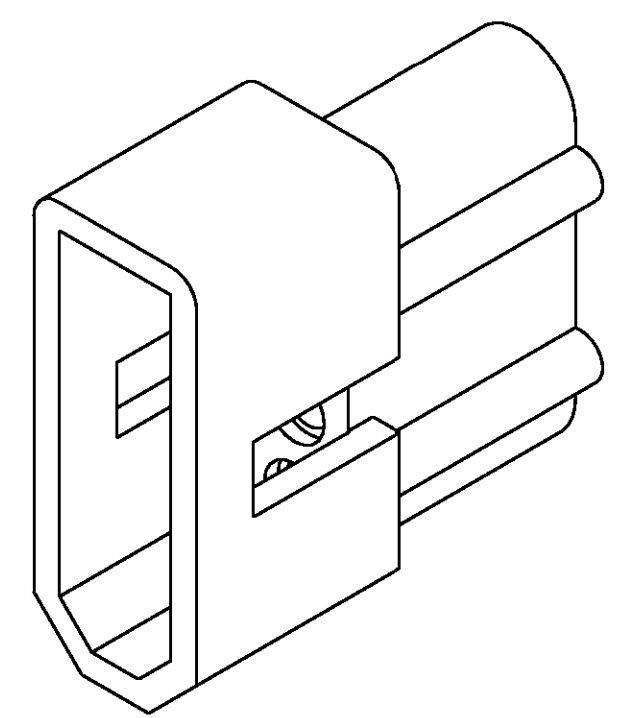
REVISIONS						
LOC	DIST	P	F	ZONE	LTR	DESCRIPTION
CM	53					D REVISED PER EC 063B-0297-00
						DATE: 19-JUN-00
						APPD: KW SR



MATING CONNECTOR INTERFACE



TYPICAL PLUG CAVITY SECTION (DIMENSIONS REFERENCE ONLY)



3-DIMENSIONAL MODEL NTS

MM	IN	MM	IN	MM	IN
2.67	.105	7.62	.300	-	-
2.13	.084	5.08	.200	-	-
1.57	.062	5.05	.199	19.05	.750
0.64	.025	3.68	.145	18.62	.733
0.25	.010	3.18	.125	16.21	.638
0.13	.005	2.79	.110	16.13	.635

CONVERSION TABLE



THIS DRAWING IS A CONTROLLED DOCUMENT FOR AMP INCORPORATED. IT IS SUBJECT TO CHANGE AND THE CONTROLLING ENGINEERING ORGANIZATION SHOULD BE CONTACTED FOR THE LATEST REVISION.

770275-1  
PART NO

DO NOT SCALE PRINT. UNLESS SPECIFIED DIMENSIONS IN mm [INCHES]	DR 11-4-93 K. WHITAKER
TOLERANCES ON:	CHK 11-4-93 R. SWING
2 PLC DEC ± 0.13	APPD 11-4-93 C. CASH
3 PLC DEC ± -	APPD 11-4-93 C. CASH
ANGLES ± 1°	PRODUCT SPEC -
MATERIAL NYLON, UL 94V-2 NATURAL	APPLICATION SPEC -
FINISH -	WEIGHT -

AMP Incorporated Harrisburg, PA 17105-3608		
NAME PLUG, 4 CIRCUIT, .062 PIN AND SOCKET		
SIZE D	CAGE CODE 00779	DRAWING NO G-770275
SCALE 5:1	SHEET 1 OF 1	

CUSTOMER DRAWING